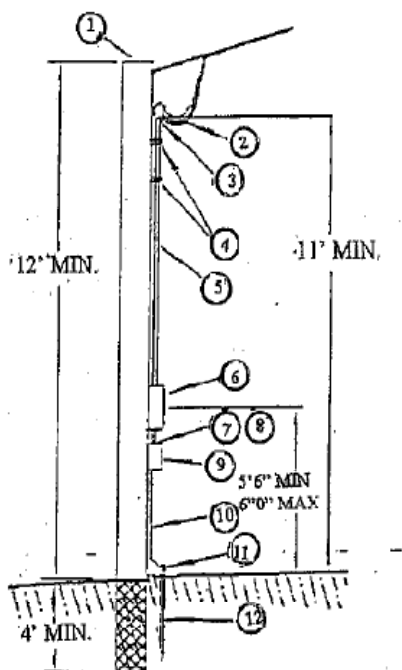


Houston County Electric Cooperative
 PO Box 52
 Crockett, Texas 75835
 800-657-2445 or 936-544-5641

Meter Loop Installation Guide for Meter Pole
 200 Amp Service 120/120 VAC



Bill of Material

Item	Qty	Description
1	1	6" (min.) treated pole
2	as req'd	2/0 Stranded copper cable with 90 C insulation rating Type RHH, THHN, THHW, or XHHW. See note below.
3	1	2" Weatherhead
4	4	2" Conduit straps with screws (Nails NOT Acceptable)
5	as req'd	2" Rigid metal or E.M.T. conduit with weather tight connectors
6	1	Meter socket (furnished by Co-op)
7	1	2" Nipple
8	2	2" Conduit locknuts
9	1	2-Pole 200 AMP weatherproof fused disconnect switch with 2" hub, or 200 AMP weatherproof load center with 2" hub (No more than a 6 circuit breaker panel is allowed without a main breaker)
10	as req'd	Min #4 Solid soft drawn copper wire
11	1	Ground clamp approved for the type of ground rod used
12		8' x 1/2" copper ground rod is preferred or 8' x 5/8" galvanized ground rod is acceptable

NOTE: Leave a minimum of 18" of conductor extended from the weatherhead.